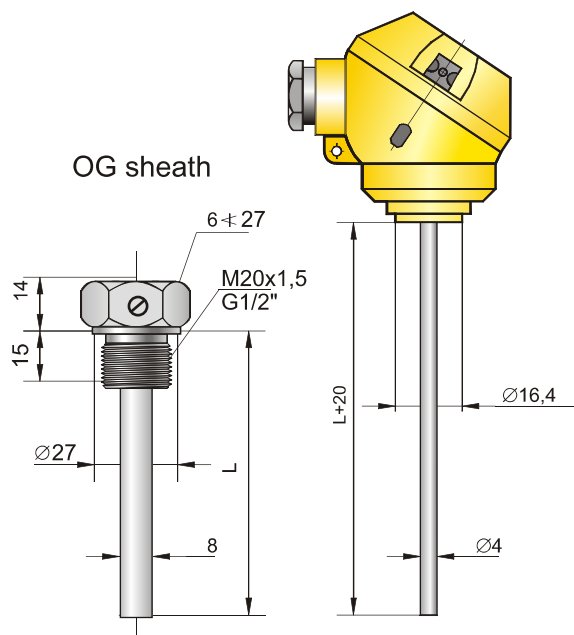


# Temperature sensor type CT I4 +OG

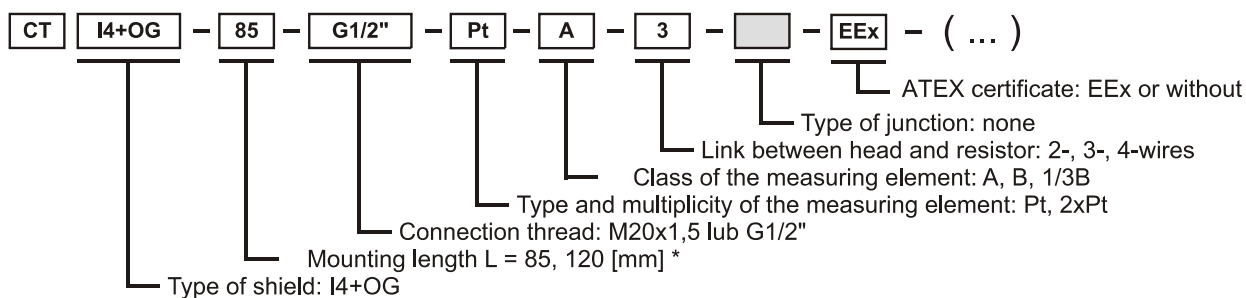
## TECHNICAL DATA:

1. Measuring range:  
Pt100: -50 ... 150 [°C]
2. Admissible load:  
1.6 [MPa] with the OG shield
3. Material of wetted parts:  
304ss or 316Lss
4. Standard immersion length L:  
85, 120 [mm] (\*)
5. Process connection:  
M20x1,5 or G1/2"
6. Time constant:

Type of sensor	T <sub>0.9L</sub> [s]
CT I4+OG	≤ 15



## Ordering procedure:



## ADDITIONAL INFORMATION:

- 1.\* Non-standard length of temperature sensors on demand.
2. Standard thermometric resistor Pt100. In case of ordering Pt500 or Pt1000, please specify this information in brackets.